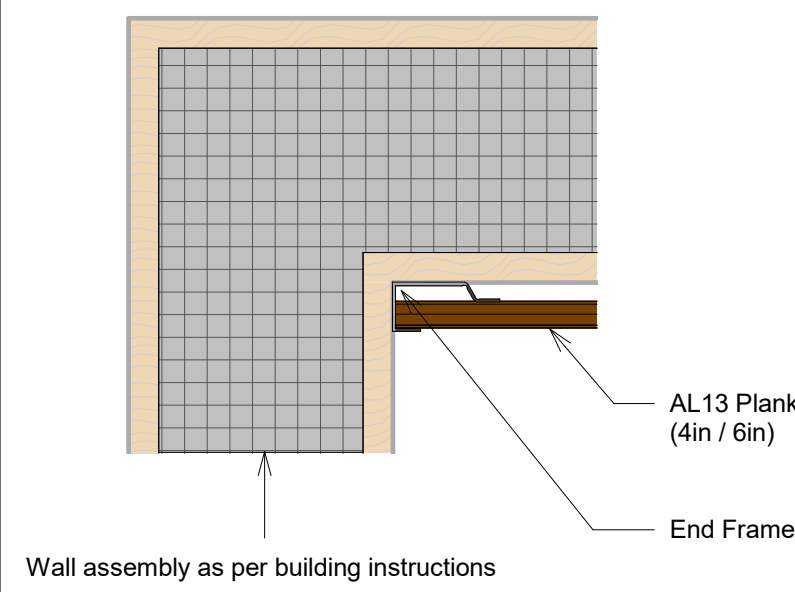
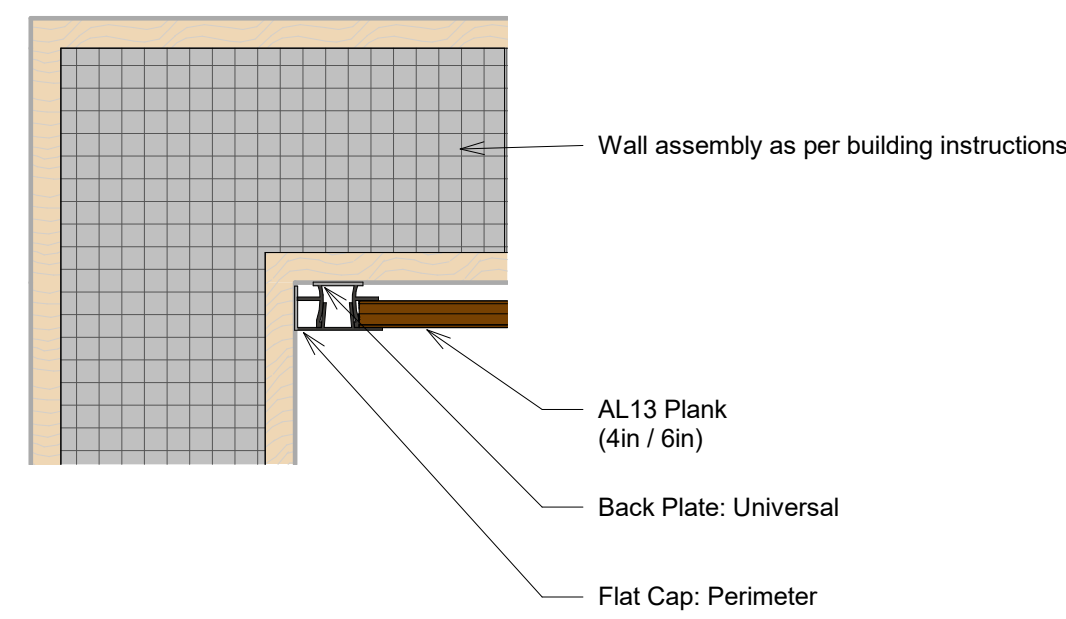


END OF WALL / PERIMETER

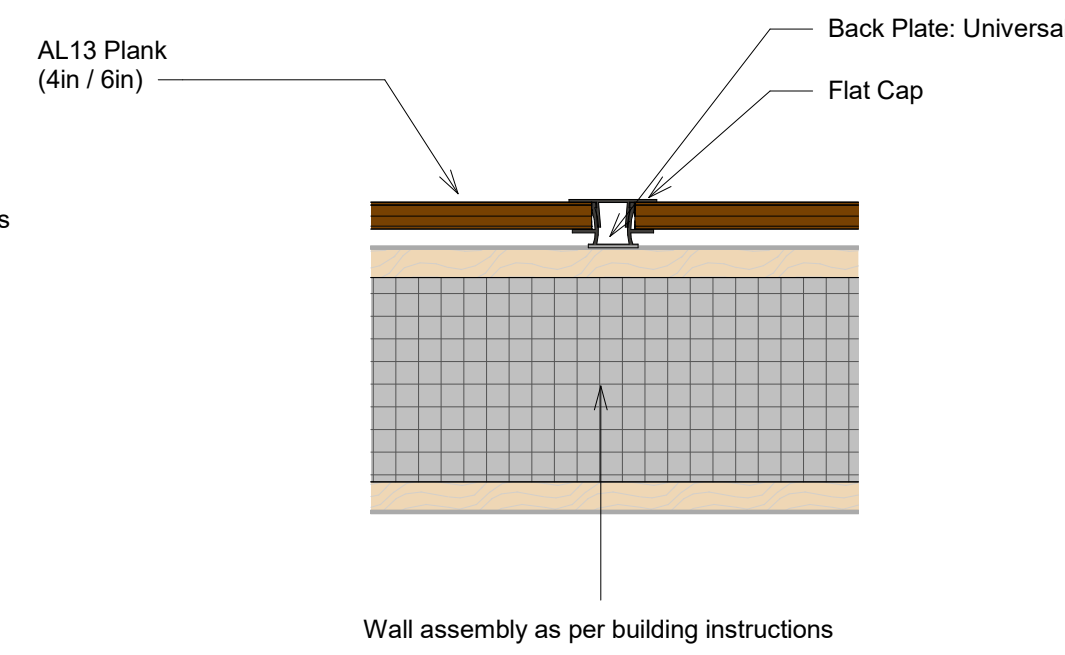


H01 Vertical Transition (Option A)
3" = 1'-0"

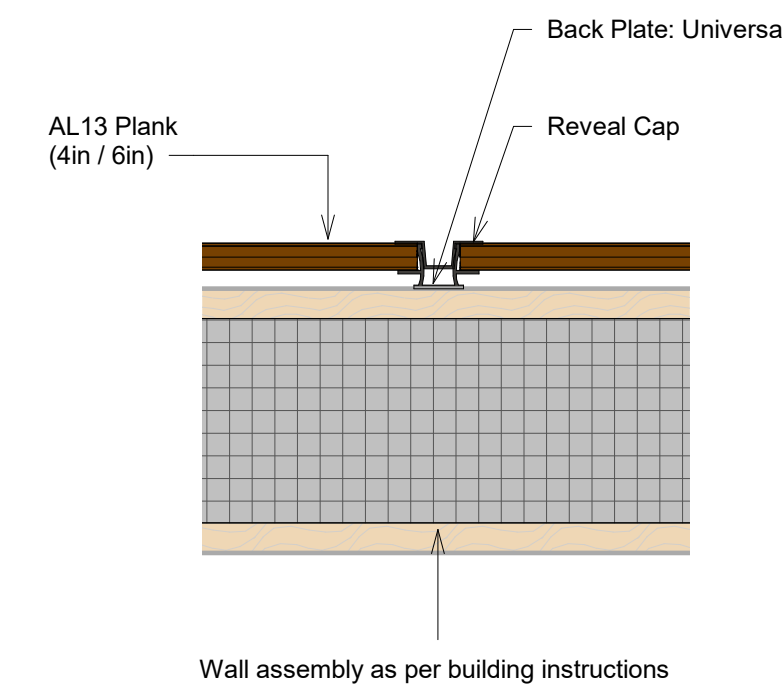


H02 Vertical Transition (Option B)
3" = 1'-0"

TRANSITION - MIDDLE OF WALL

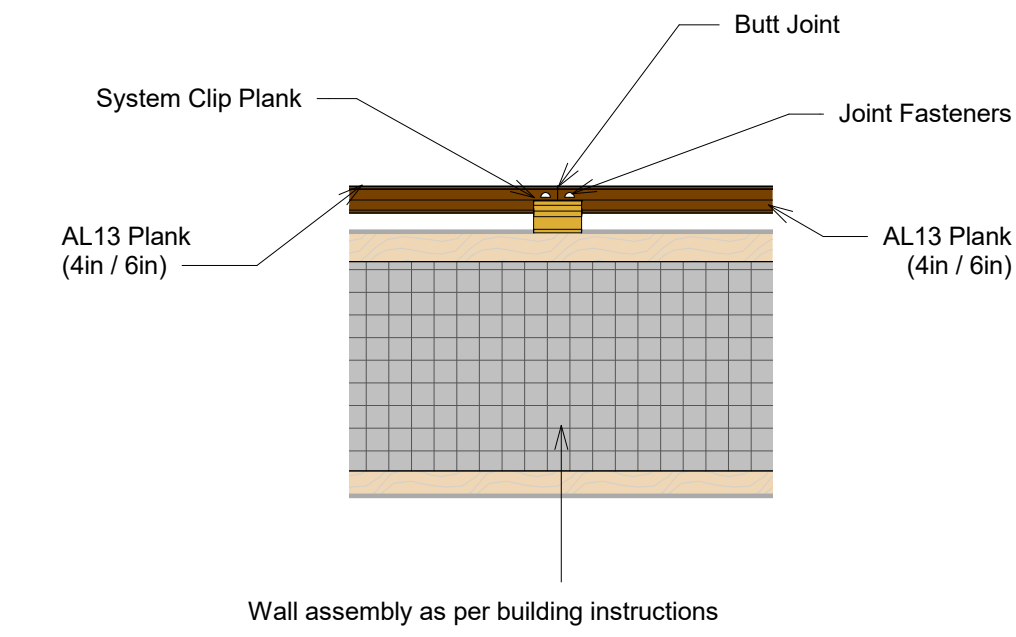


H03 MW Vertical Transition (Option A)
3" = 1'-0"



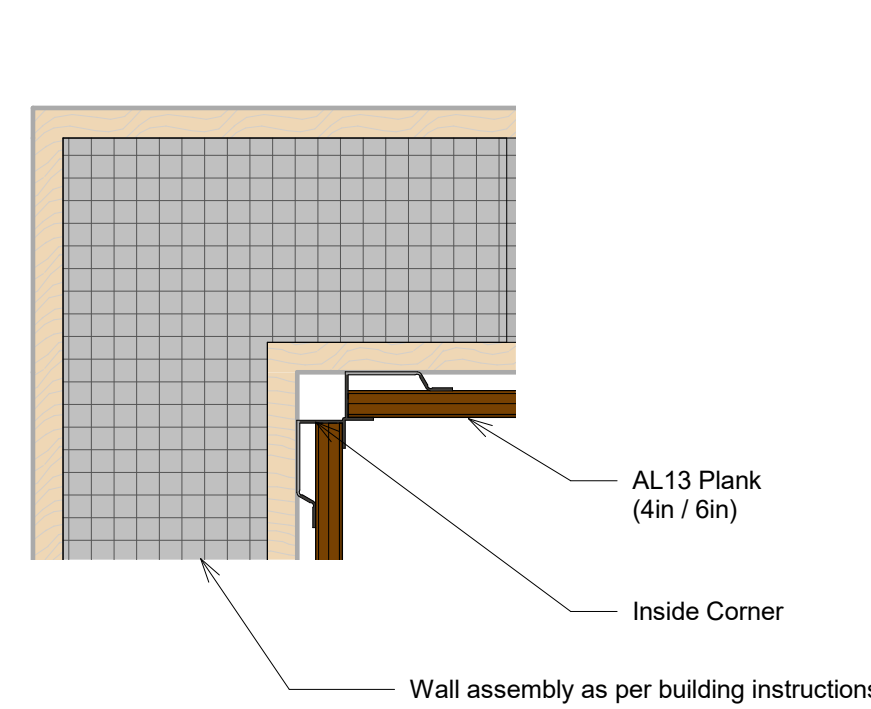
H04 MW Vertical Transition (Option B)
3" = 1'-0"

NOTE: JOINT FASTENERS ARE INTENDED TO JOIN PLANKS OF THE SAME SIZE ONLY.

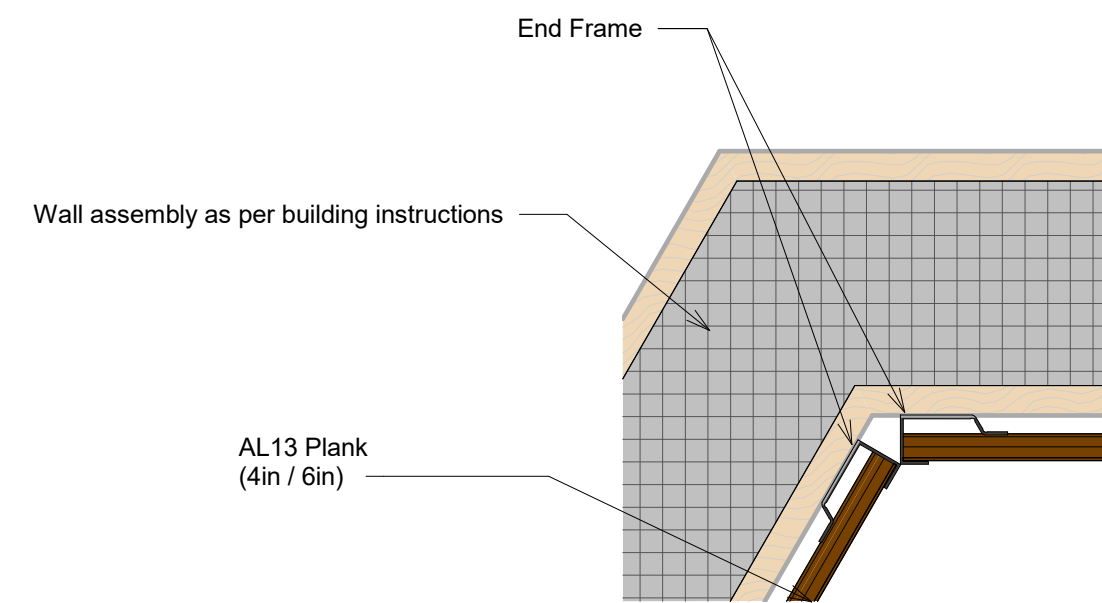


H05 Connection Between Planks
3" = 1'-0"

TRANSITIONS - INSIDE CORNER

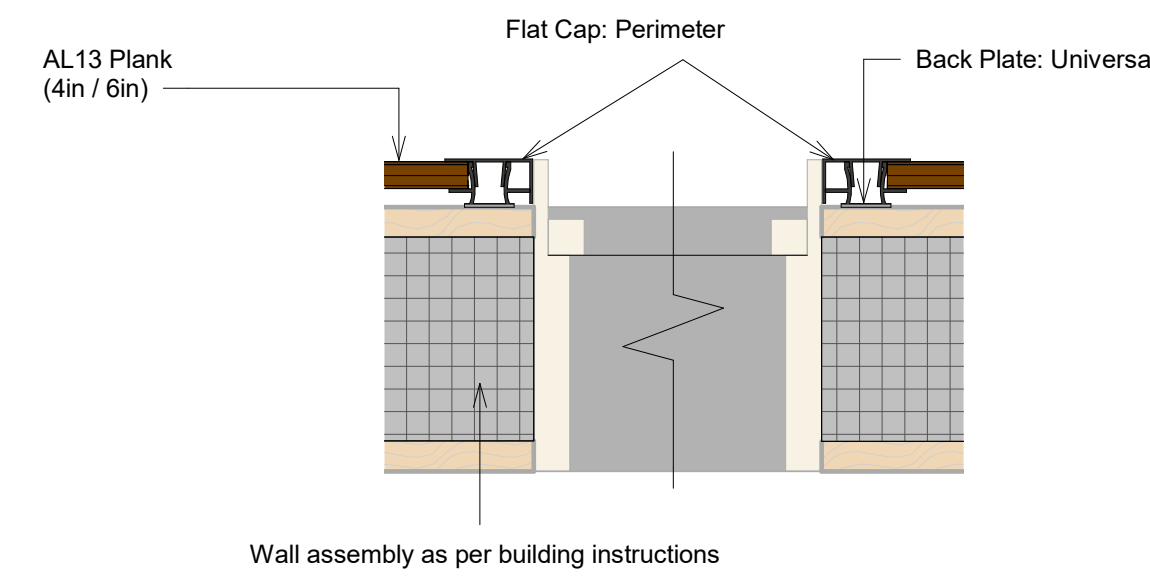


H06 Inside Corner 90°
3" = 1'-0"



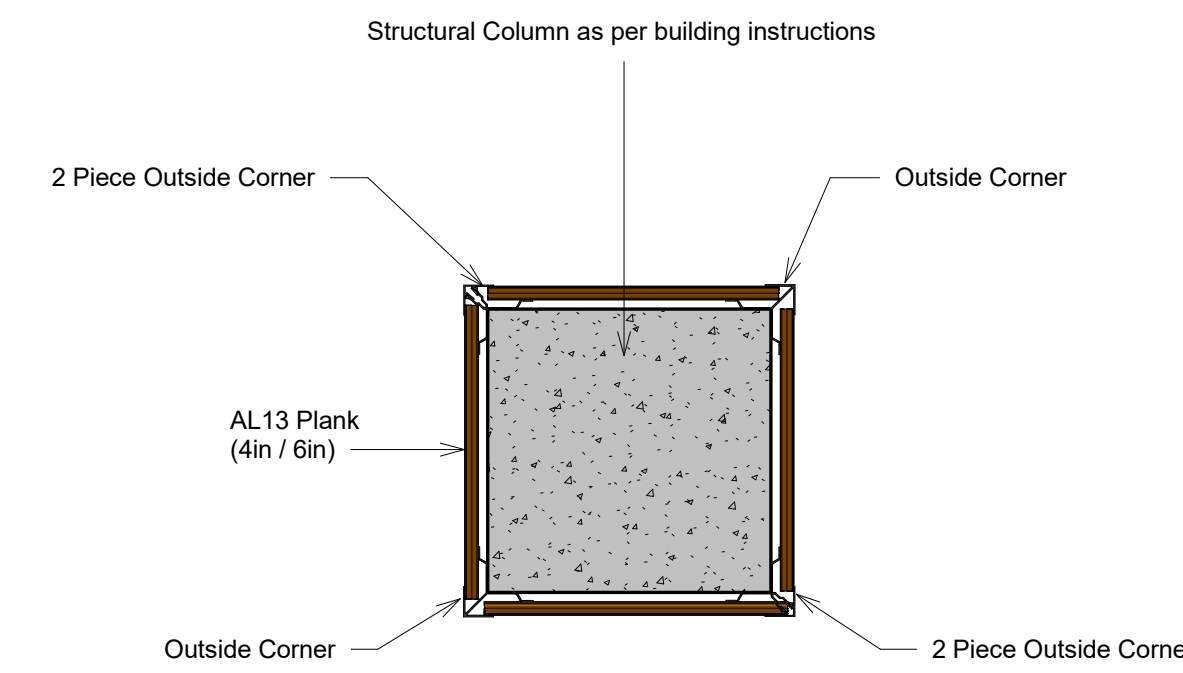
H07 Inside Corner +90°
3" = 1'-0"

OPENINGS



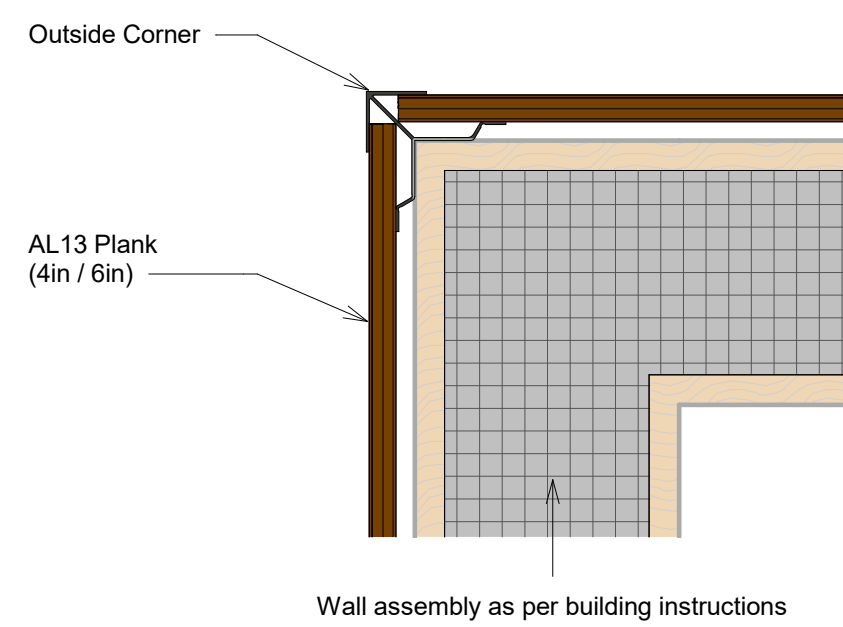
H08 Window Jamb
3" = 1'-0"

ARCHITECTURAL FEATURES

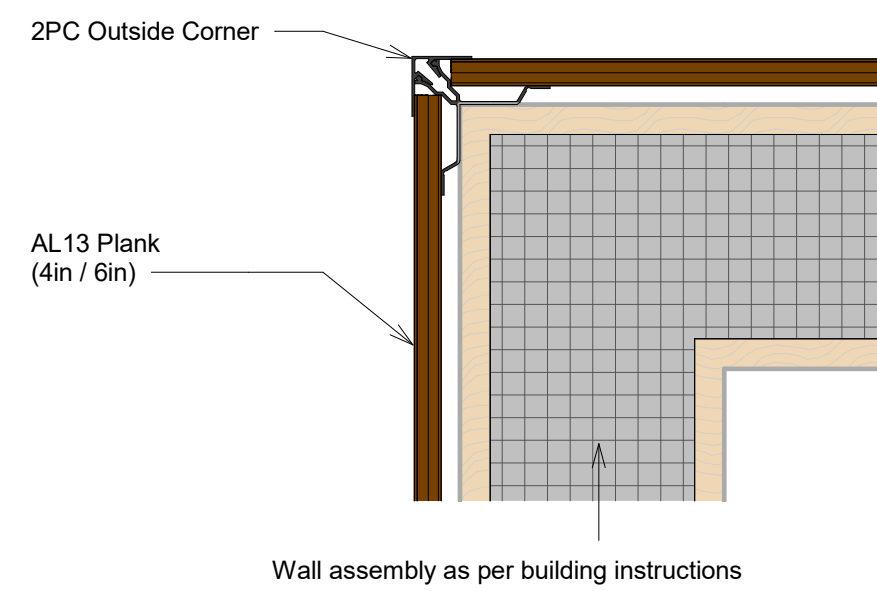


H09 Column
1 1/2" = 1'-0"

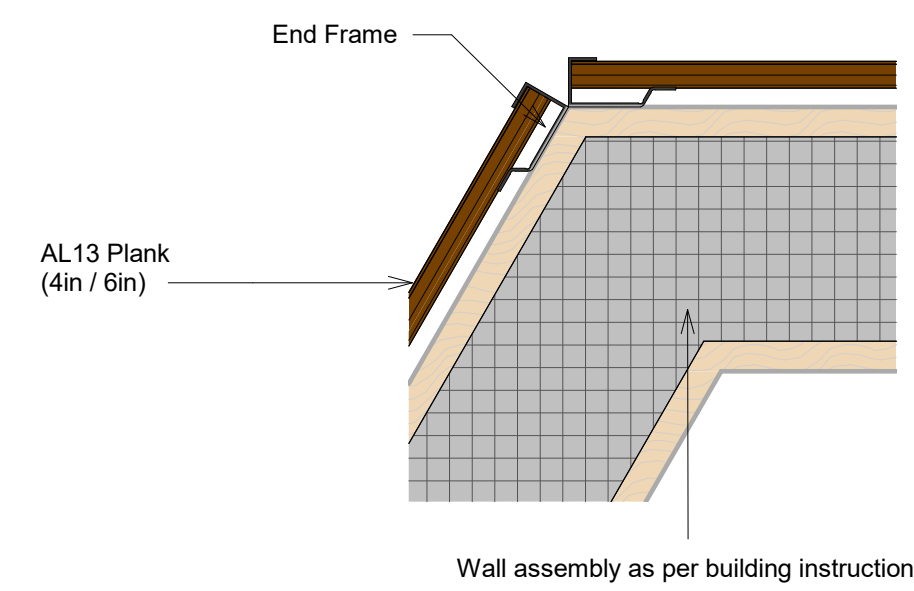
TRANSITIONS - OUTSIDE CORNER



H10 Outside Corner
3" = 1'-0"



H11 2PC Outside Corner
3" = 1'-0"



H12 Outside Corner +90°
3" = 1'-0"



Address:

1278 Cliveden Avenue
Delta, BC V3M 6G4
Canada

Contact information:

Tel: +1-604-428-2513
Mail: info@al13.com
URL: al13.com

WALL DETAILS INDEX

For vertical Back Plate installation, allow approximately 2" gap from horizontal extrusions. See AL13 Plank Installation Guide for more information

WALL DETAILS

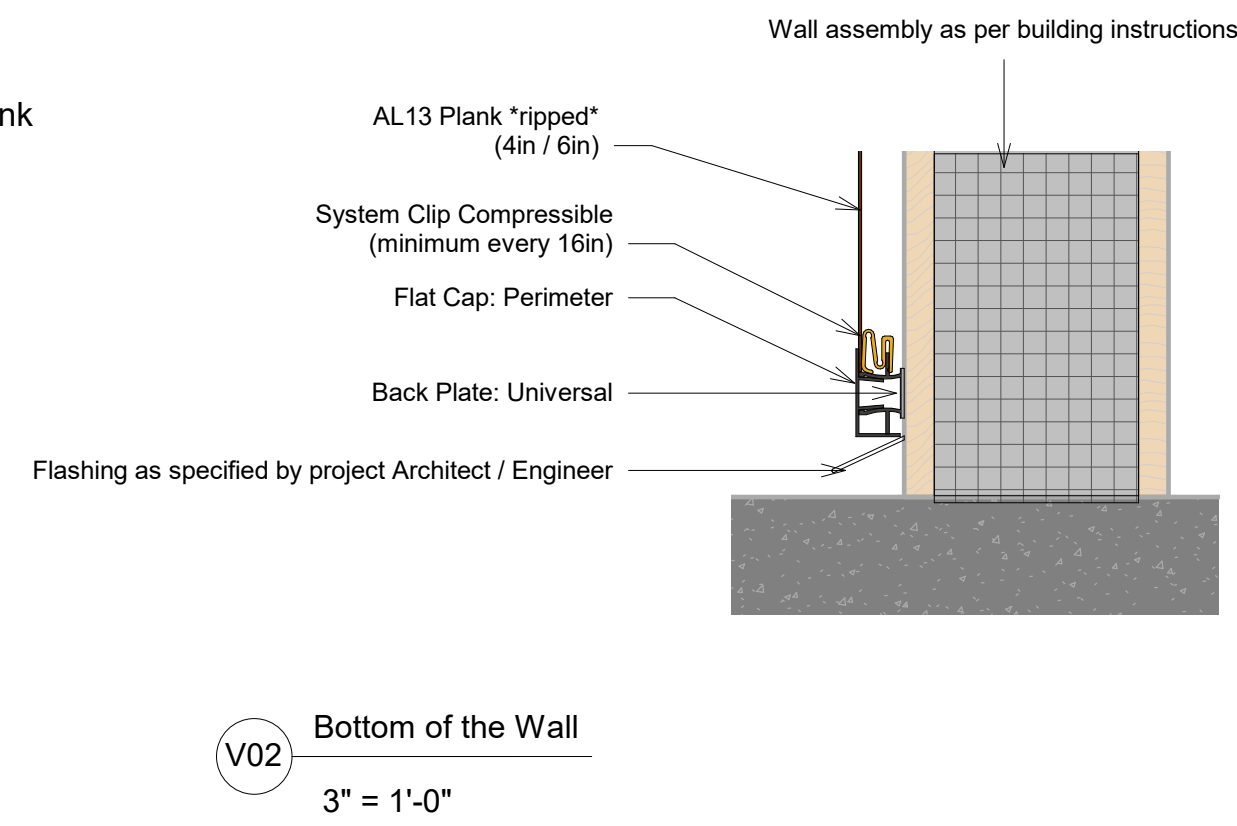
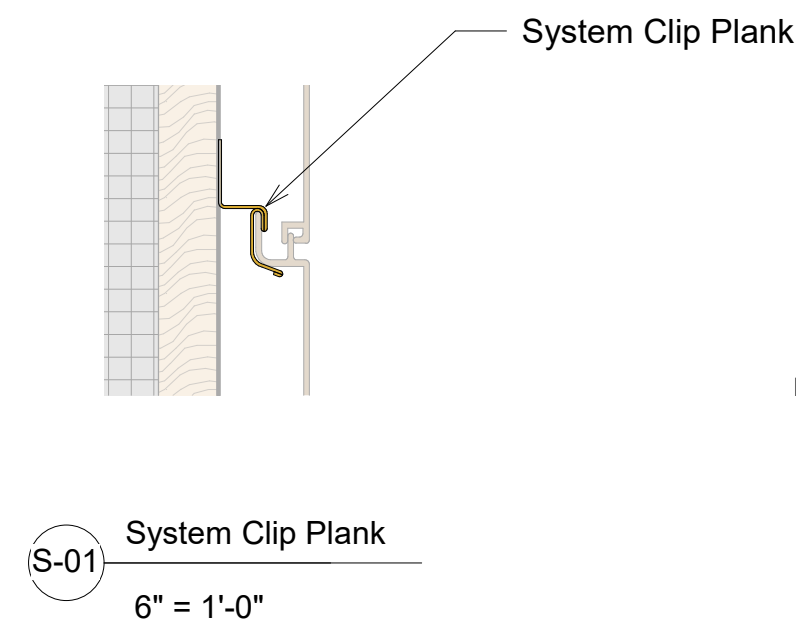
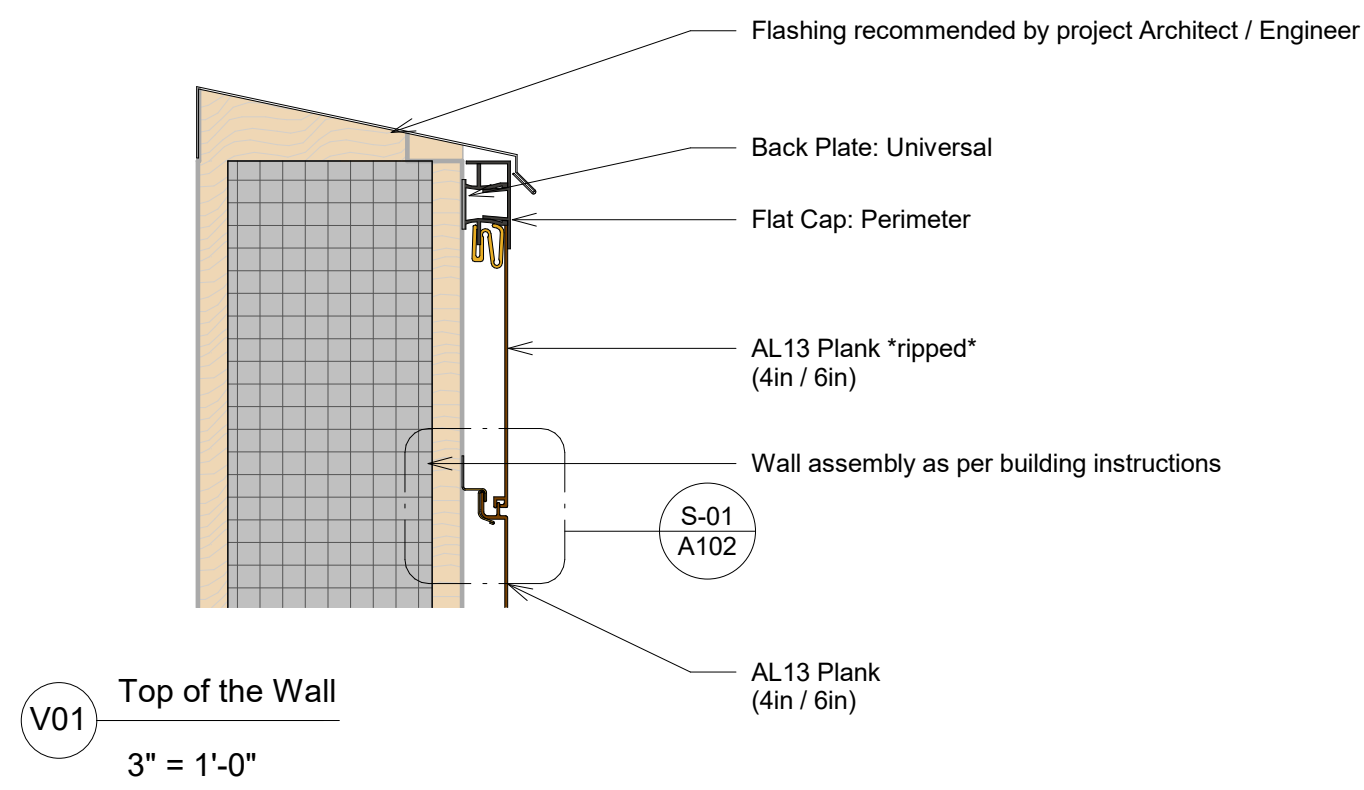
AL13 - PLANK SYSTEM

Project Number	002
Date	02/08/2024
Drawn By	E.A
Checked By	J.T

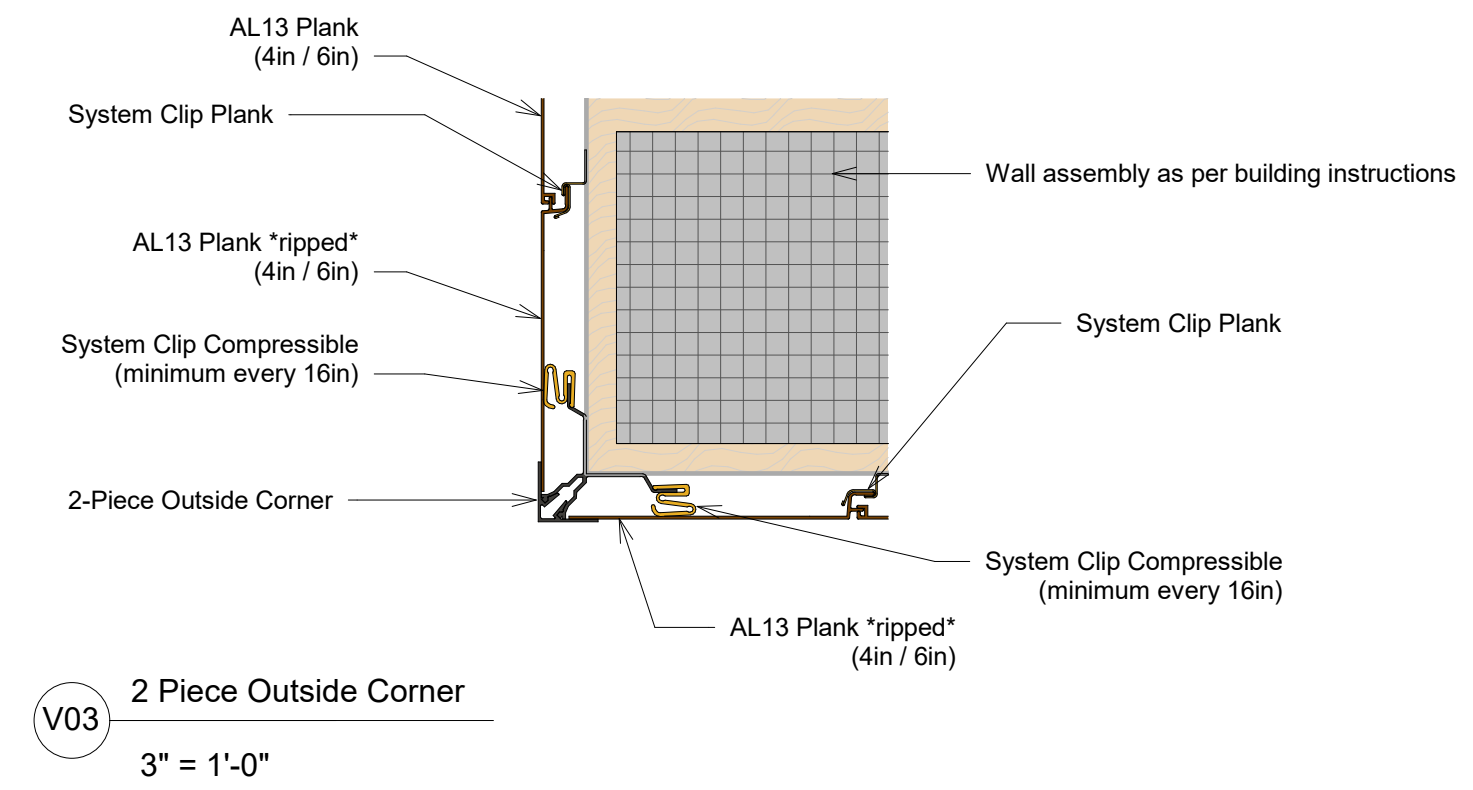
A101

Scale As indicated

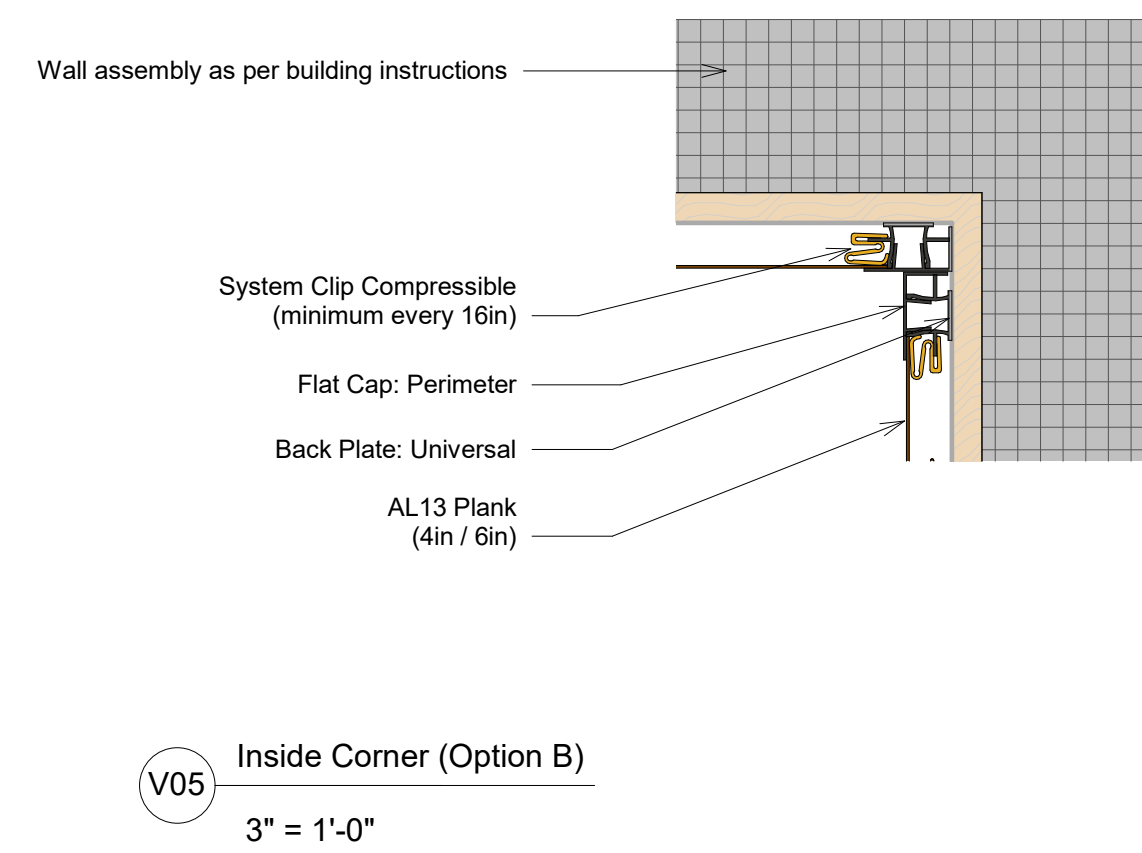
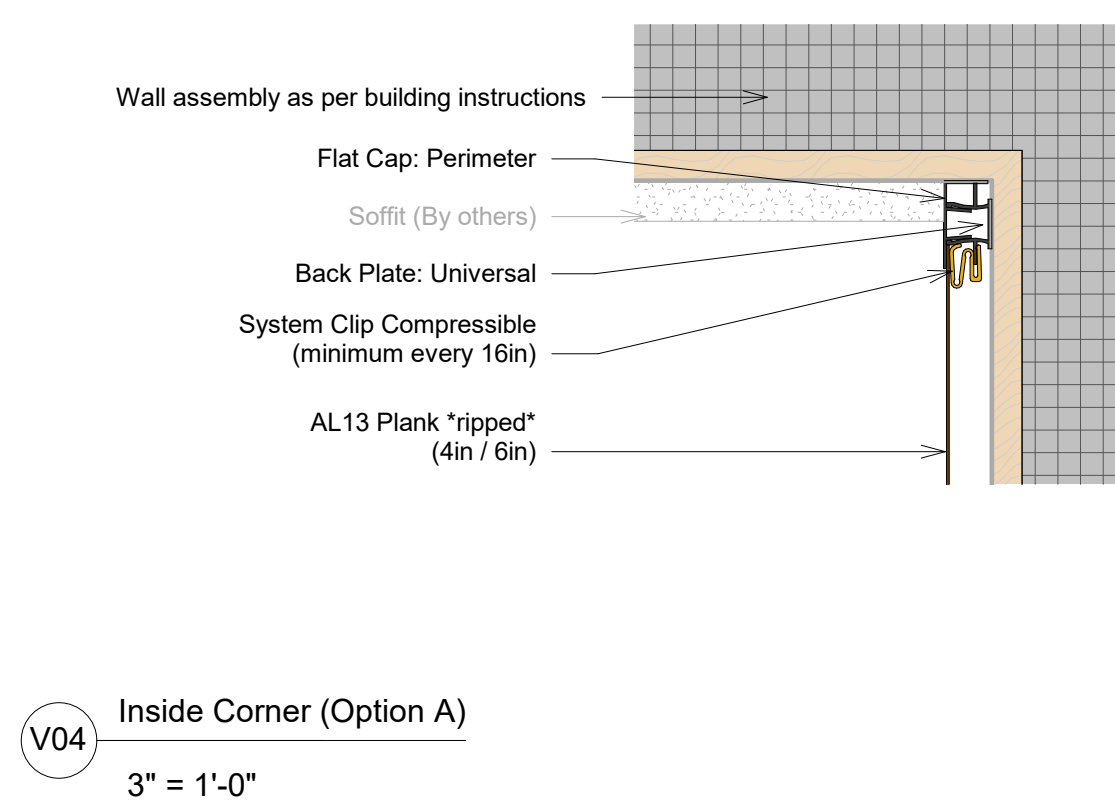
END OF WALL / PERIMETER



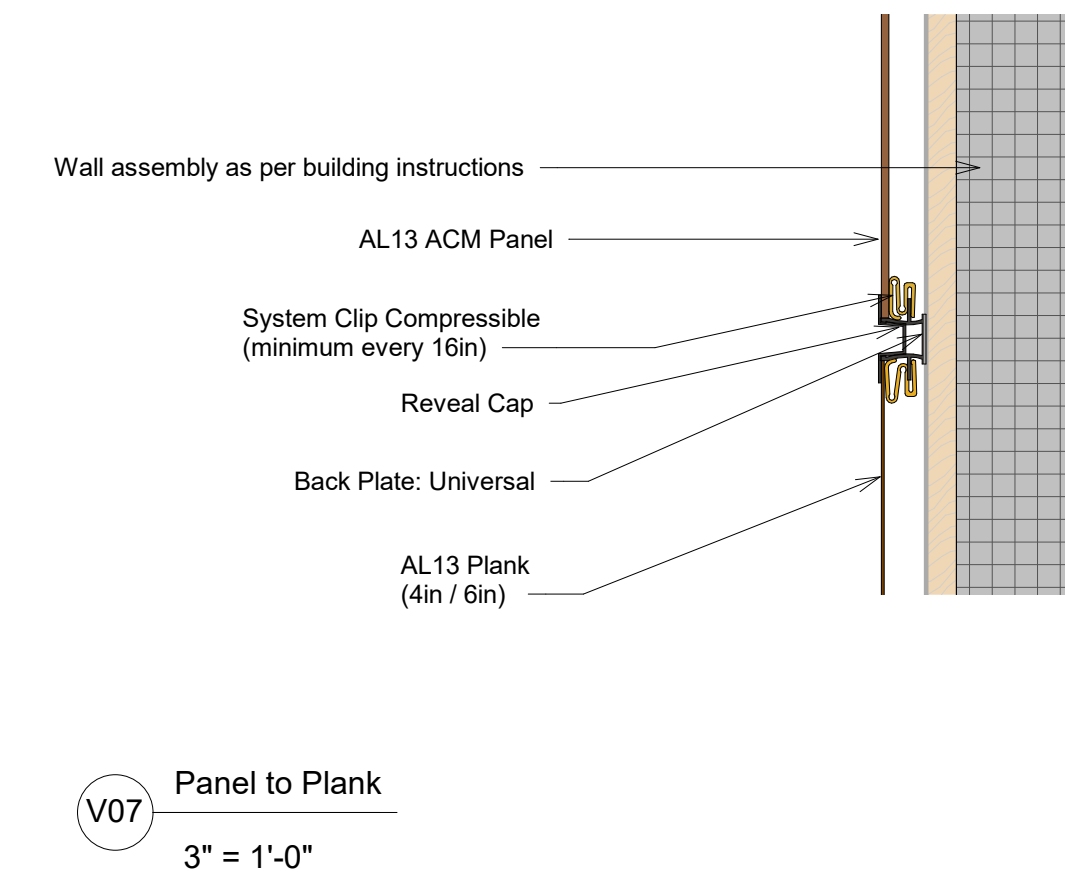
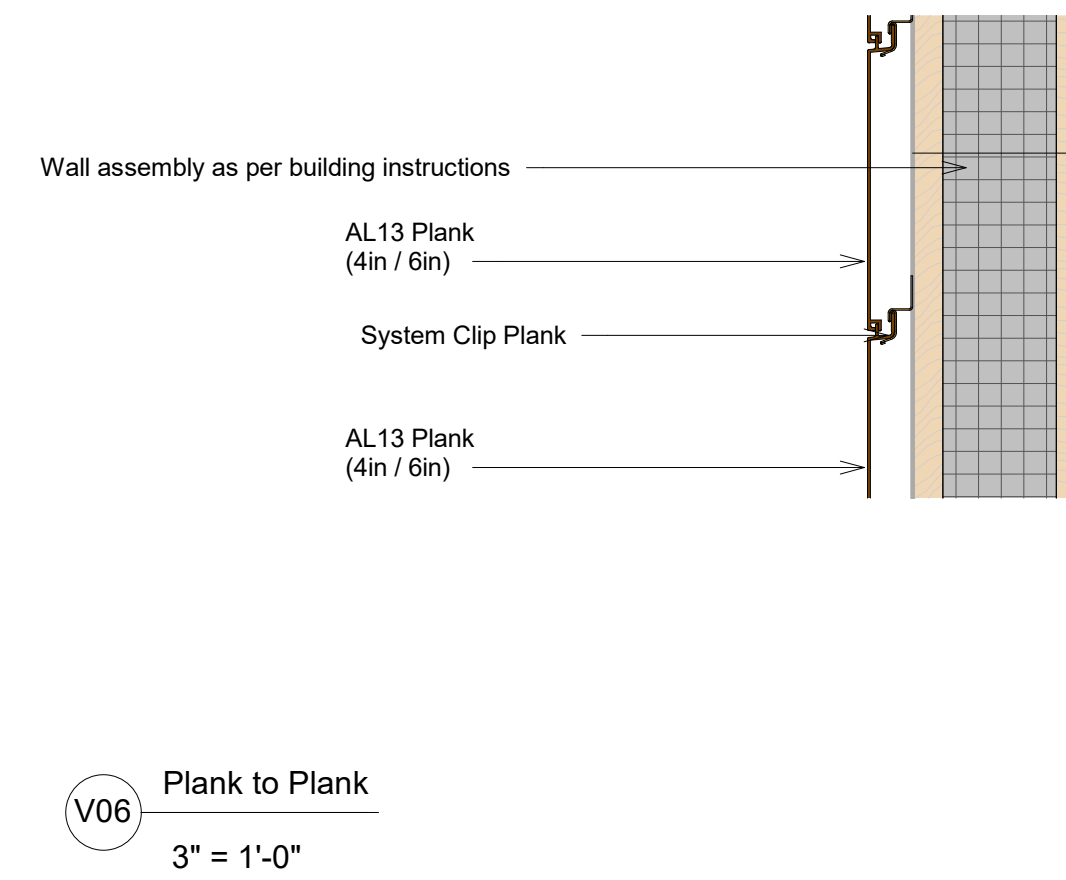
TRANSITIONS - OUTSIDE CORNER



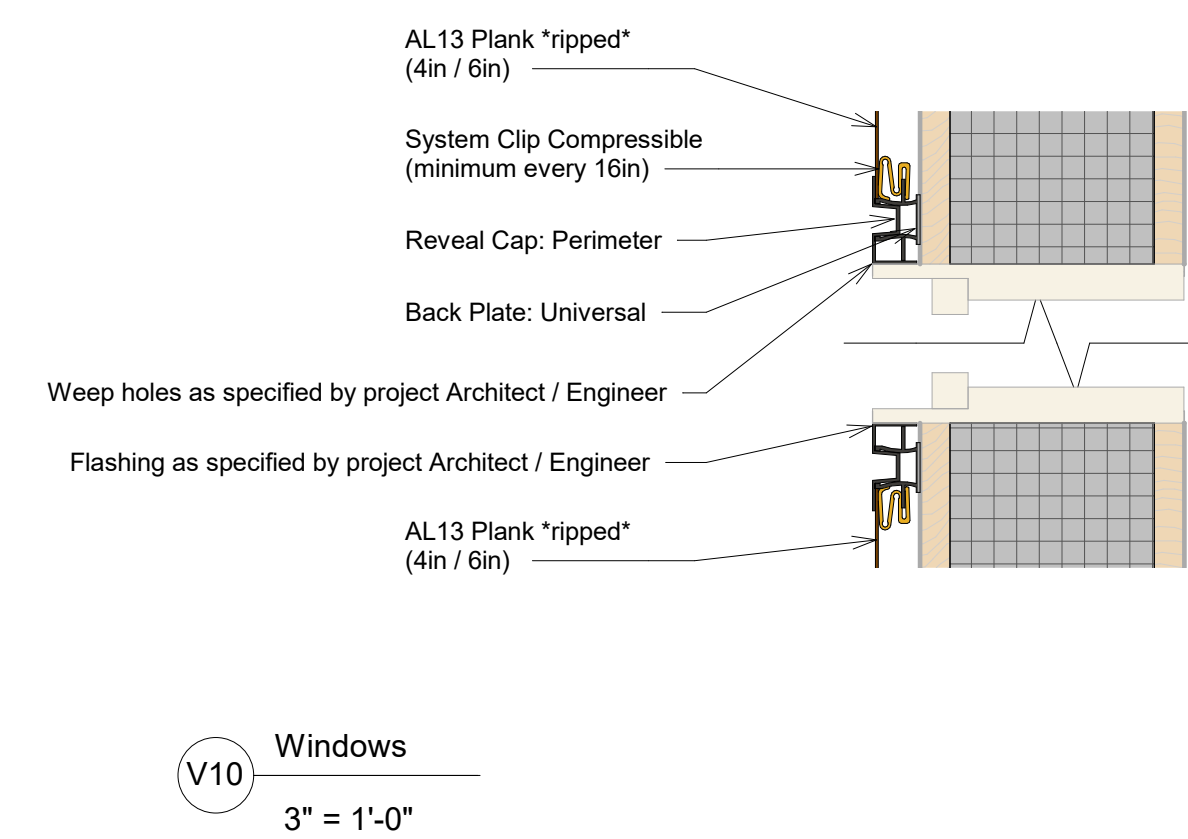
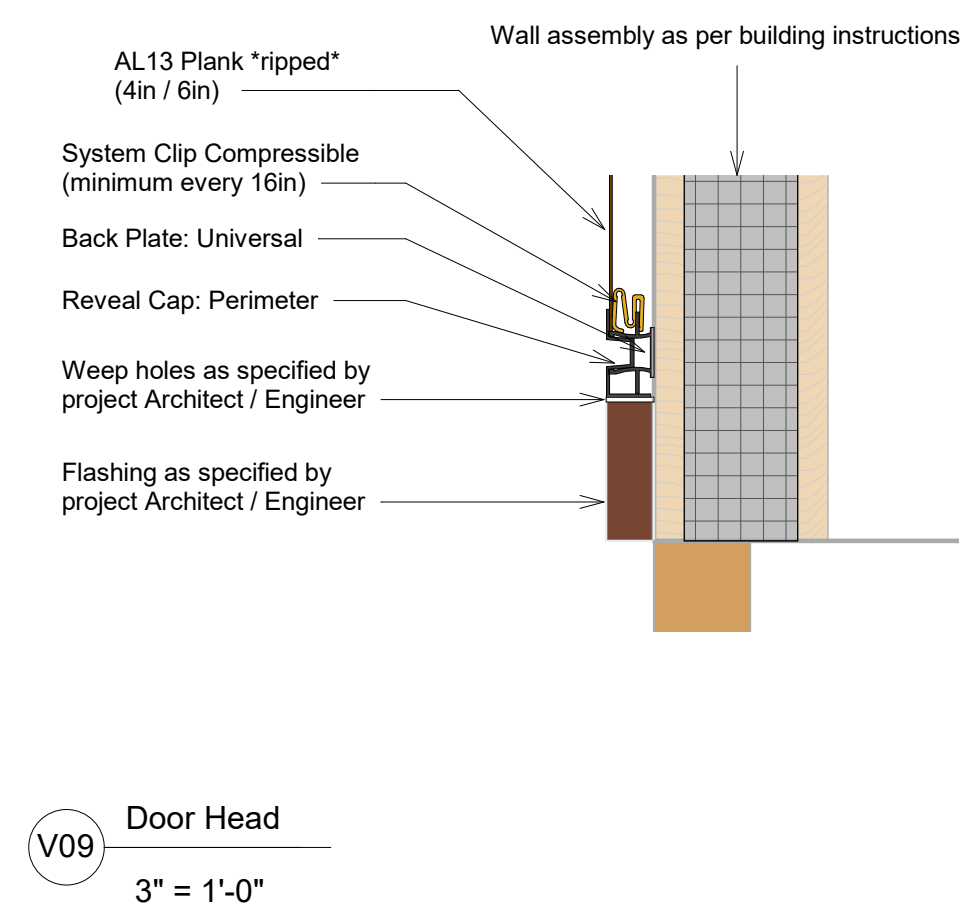
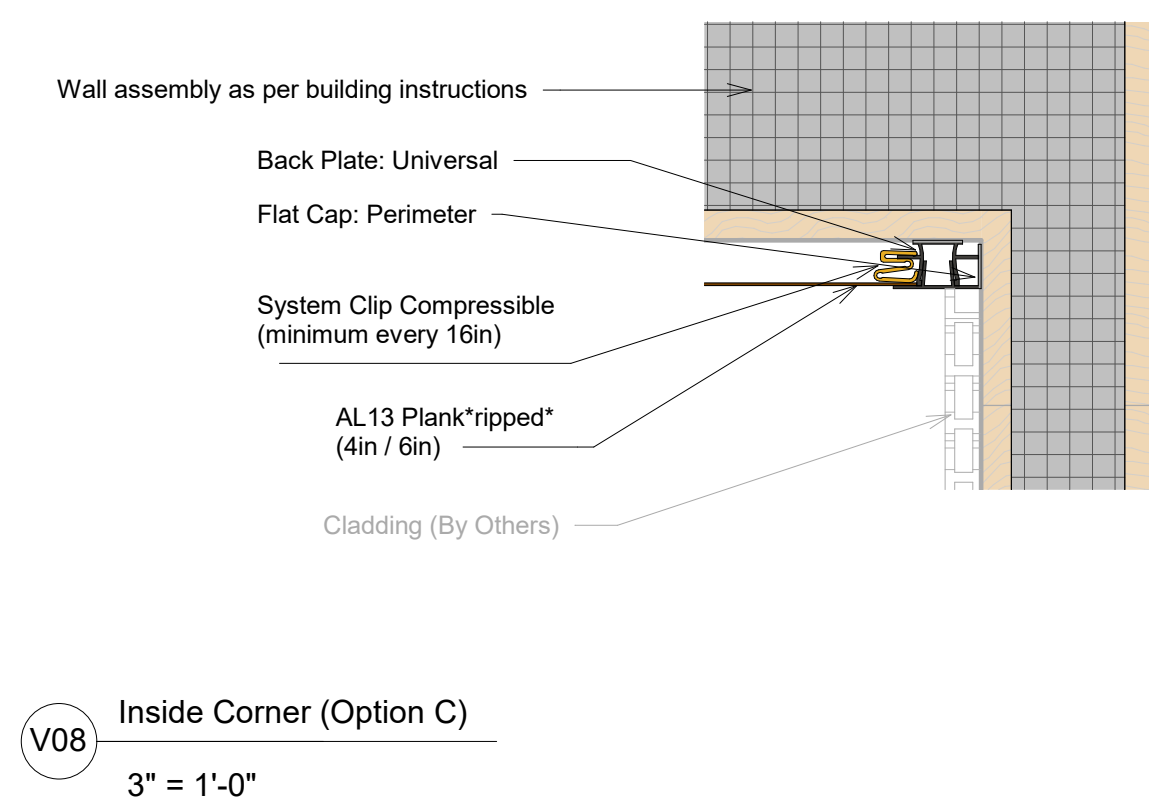
TRANSITIONS - INSIDE CORNER



TRANSITIONS - MIDDLE OF WALL



OPENINGS



Address:

1278 Cliveden Avenue
Delta, BC V3M 6G4
Canada

Contact information:

Tel: +1-604-428-2513
Mail: info@al13.com
URL: al13.com

WALL DETAILS INDEX

Plank wall termination with a ripped plank. See AL13 Panel Installation Guide for more information

For horizontal installation, measure and cut horizontal Back Plate in 3.25" segments and install every 16in on centre

** Rip the plank accordingly **
Refer to AL13 Plank Installation Guide for more details

WALL DETAILS

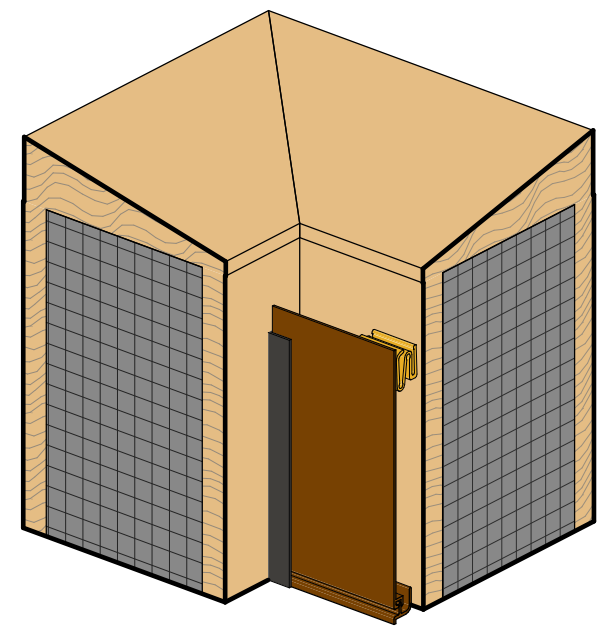
AL13 - PLANK SYSTEM

Project Number	002
Date	02/08/2024
Drawn By	E.A
Checked By	J.T

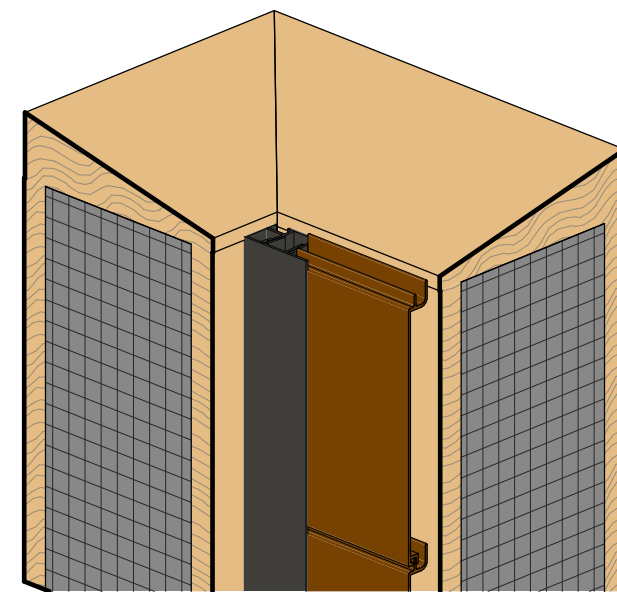
A102

Scale As indicated

END OF WALL / PERIMETER

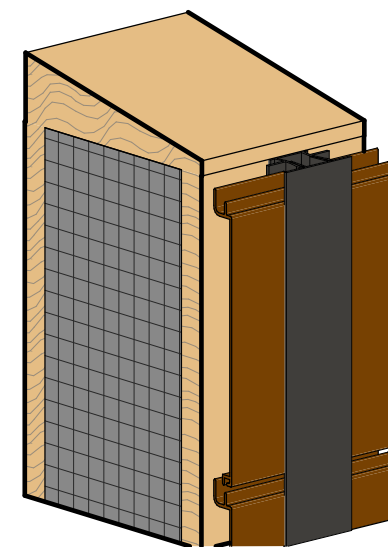


H01 Vertical Transition (Option A)

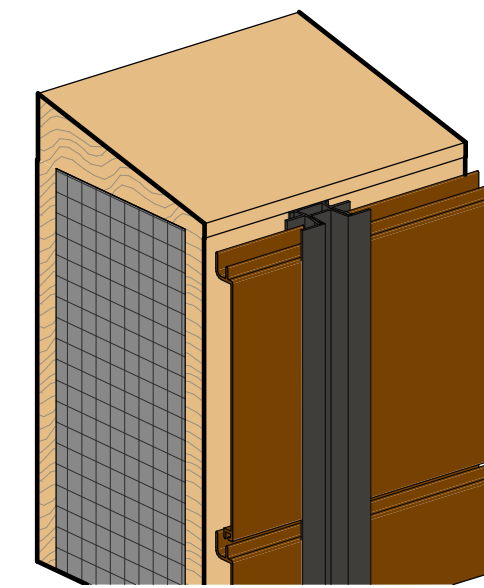


H02 Vertical Transition (Option B)

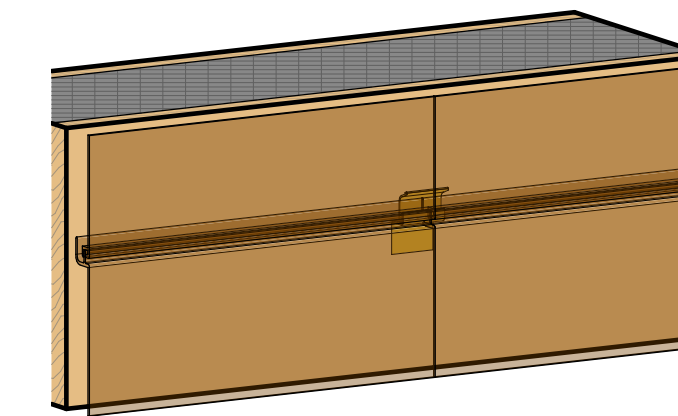
TRANSITION - MIDDLE OF WALL



H03 MW Vertical Transition (Option A)

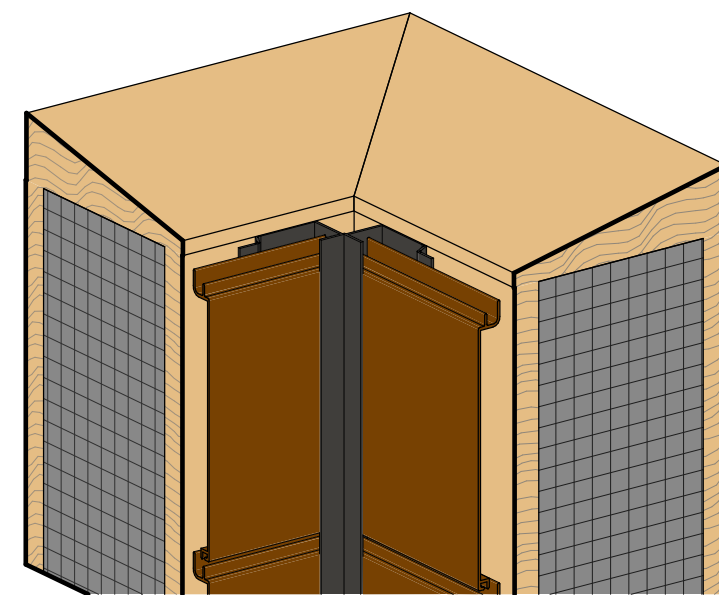


H04 MW Vertical Transition (Option B)

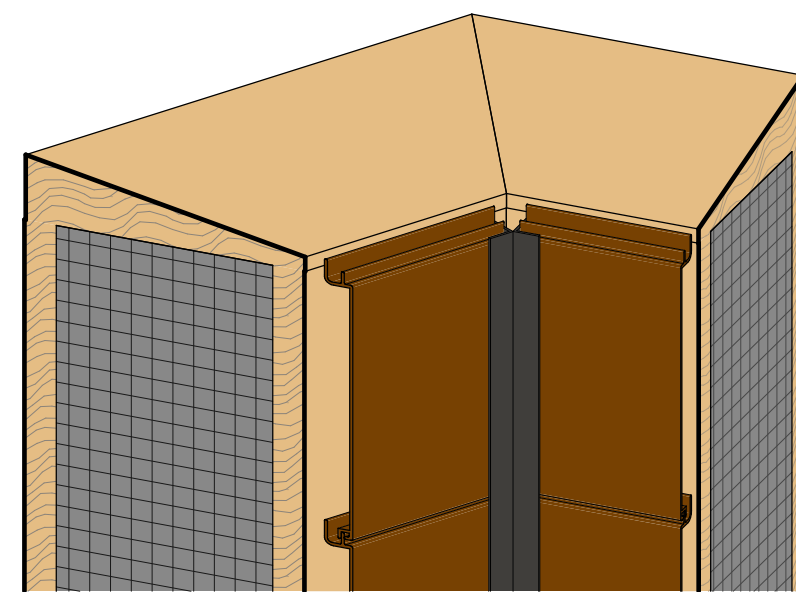


H05 Connection Between Planks

TRANSITIONS - INSIDE CORNER

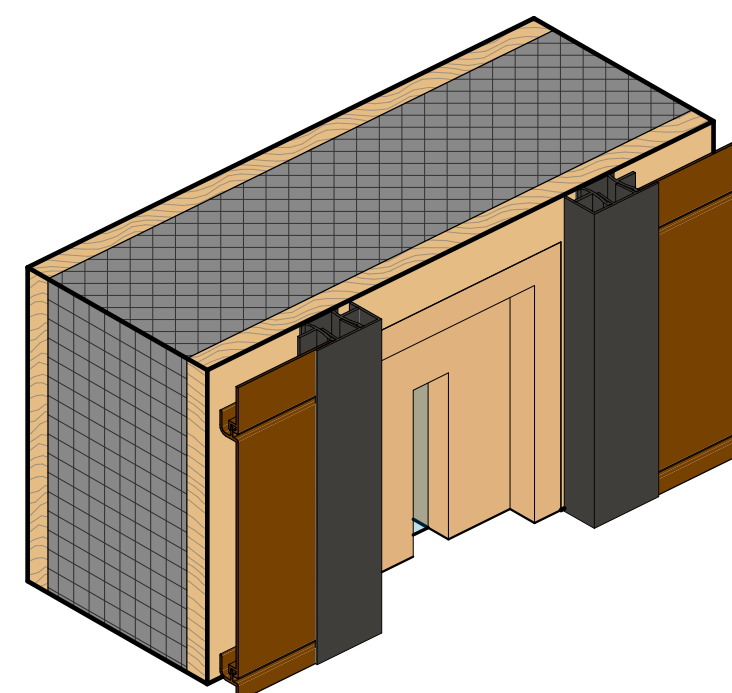


H06 Inside Corner 90°



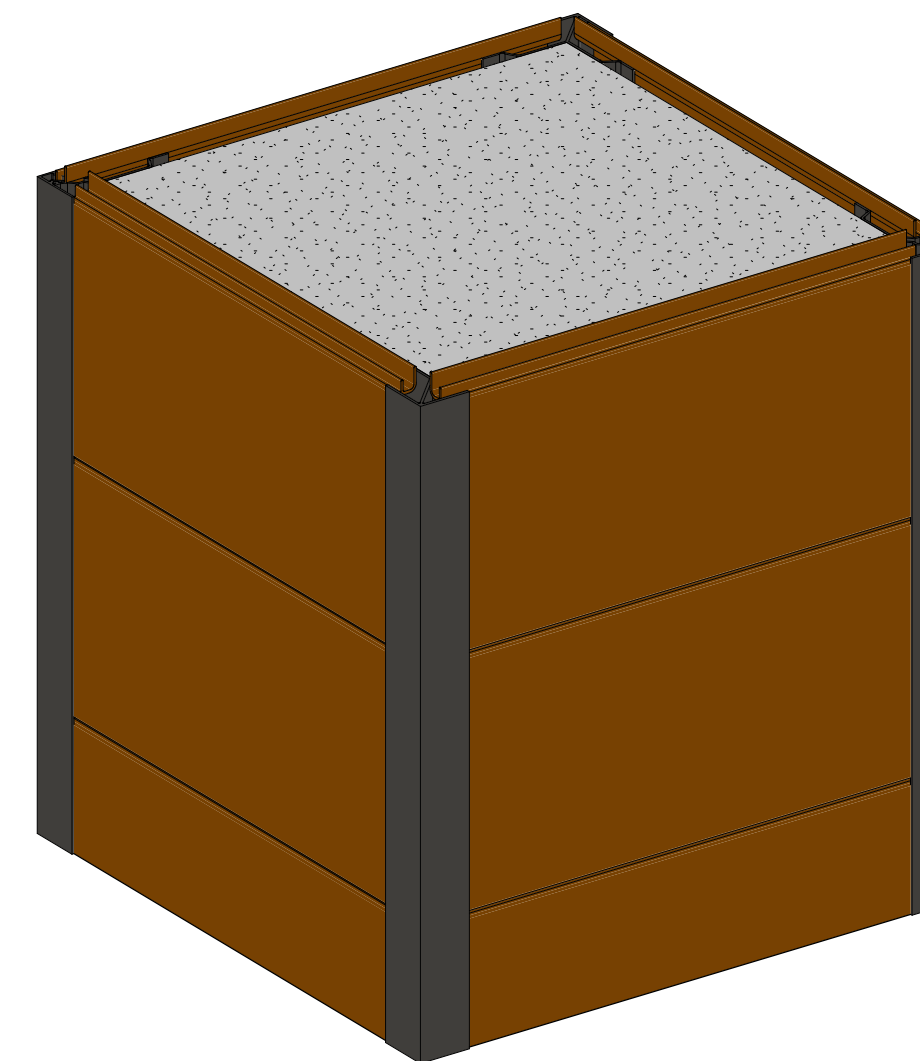
H07 Inside Corner +90°

OPENINGS



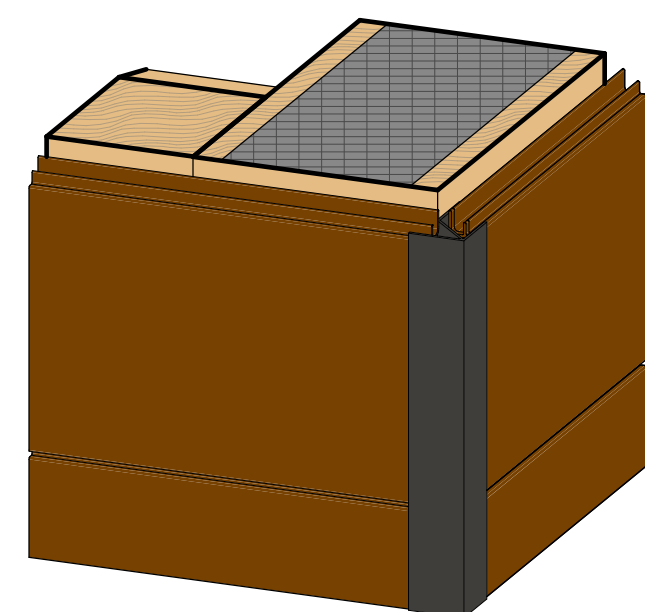
H08 Window Jamb

ARCHITECTURAL FEATURES

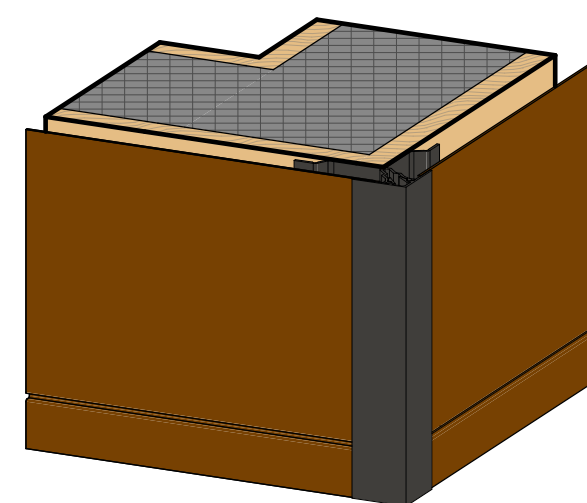


H09 Column - Outside Corners

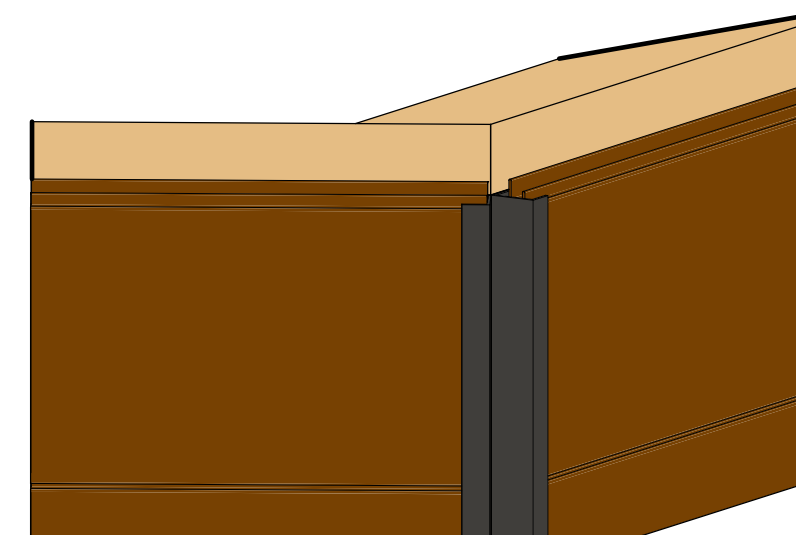
TRANSITIONS - OUTSIDE CORNER



H10 Outside Corner H



H11 2PC Outside Corner



H12 Outside Corner +90°



Address:

1278 Cliveden Avenue
Delta, BC V3M 6G4
Canada

Contact information:

Tel: +1-604-428-2513
Mail: info@al13.com
URL: al13.com

WALL DETAILS

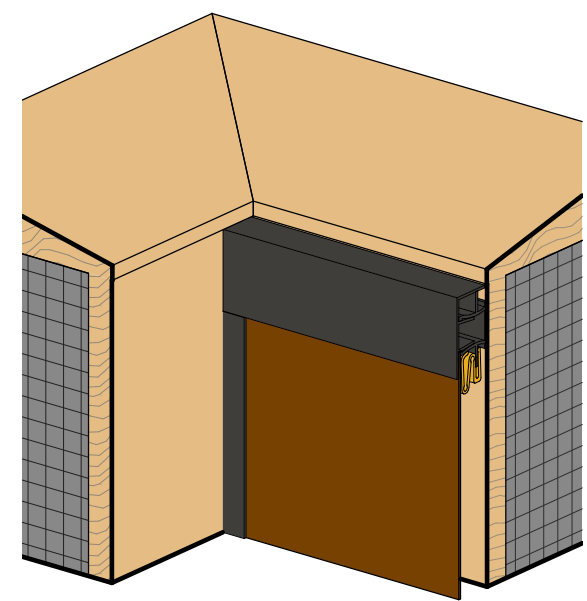
AL13 - PLANK SYSTEM

Project Number	002
Date	02/08/2024
Drawn By	E.A
Checked By	J.T

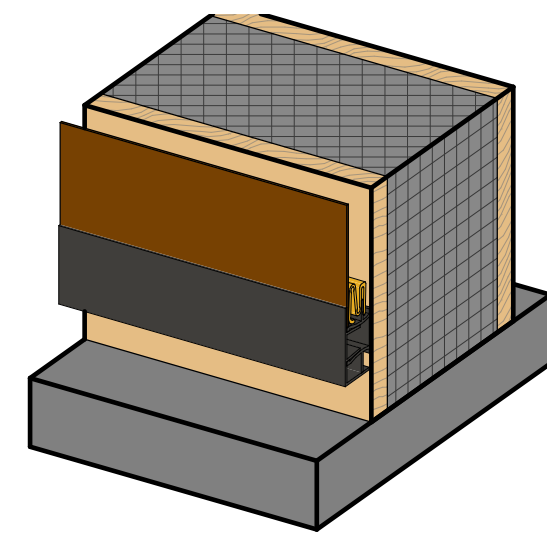
A103

Scale

END OF WALL / PERIMETER

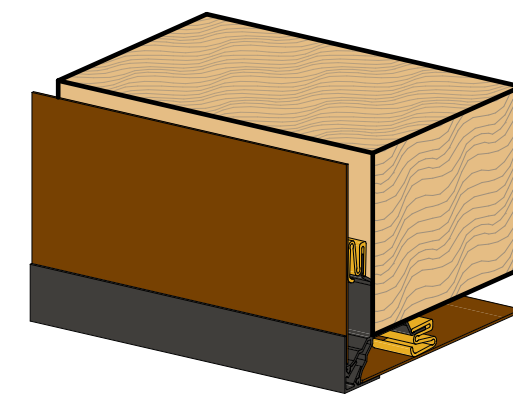


V01 Top of the Wall



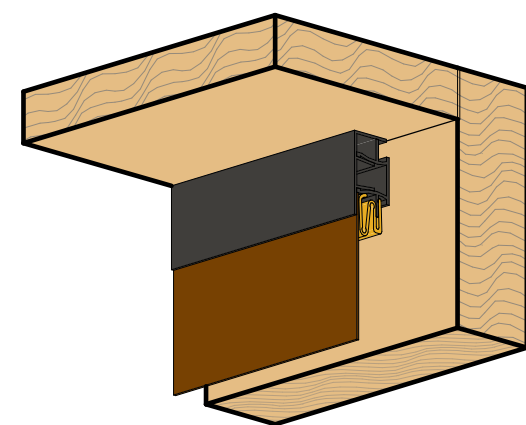
V02 Bottom of the Wall

TRANSITIONS - OUTSIDE CORNER

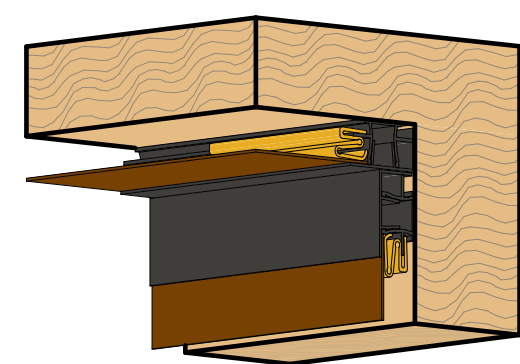


V03 Outside Corner V

TRANSITIONS - INSIDE CORNER

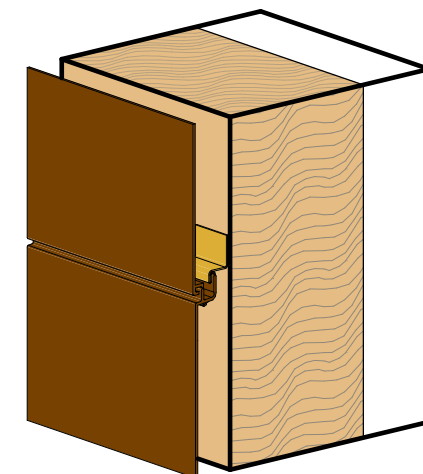


V04 Inside Corner (Option A)

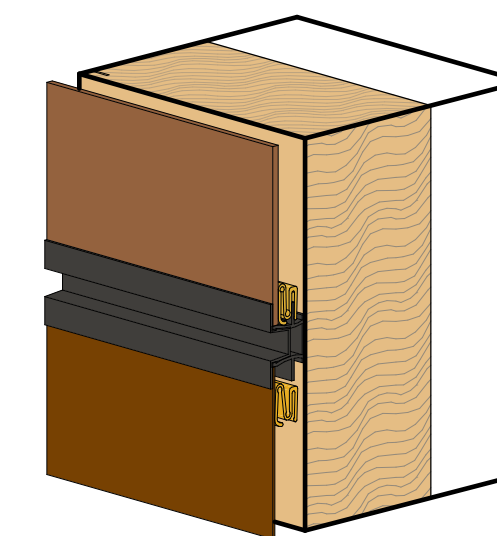


V05 Inside Corner (Option B)

TRANSITIONS - MIDDLE OF WALL

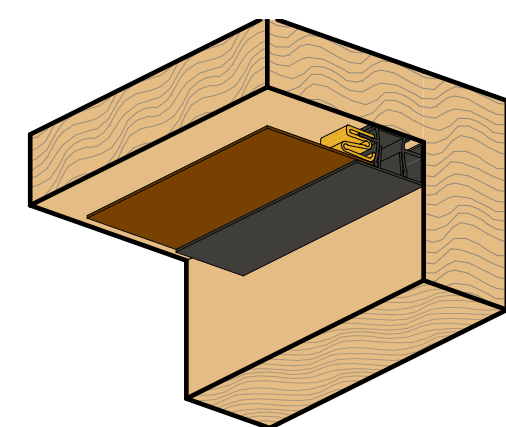


V06 Middle of the Wall Plank to Plank

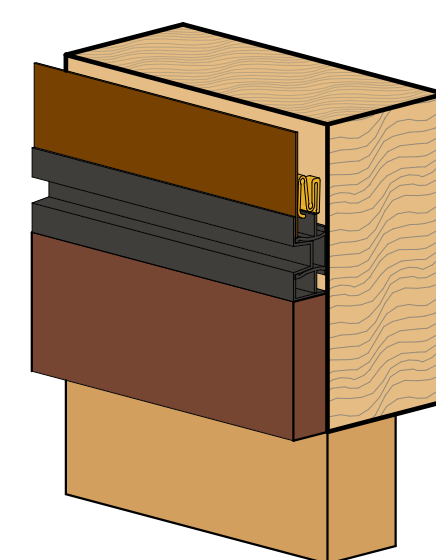


V07 Middle of the Wall Panel to Plank

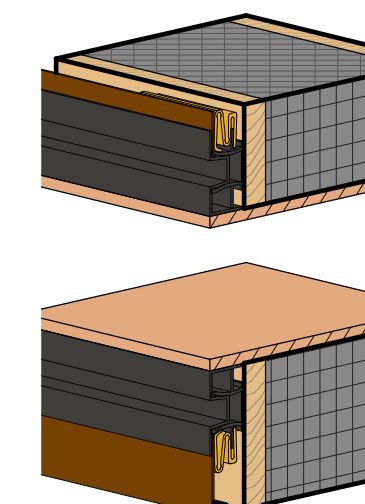
OPENINGS



V08 Inside Corner (Option C)



V10 Door Head



V11 Windows



Address:

1278 Cliveden Avenue
Delta, BC V3M 6G4
Canada

Contact information:

Tel: +1-604-428-2513
Mail: info@al13.com
URL: al13.com

WALL DETAILS

AL13 - PLANK SYSTEM

Project Number	002
Date	02/08/2024
Drawn By	E.A
Checked By	J.T

A104

Scale